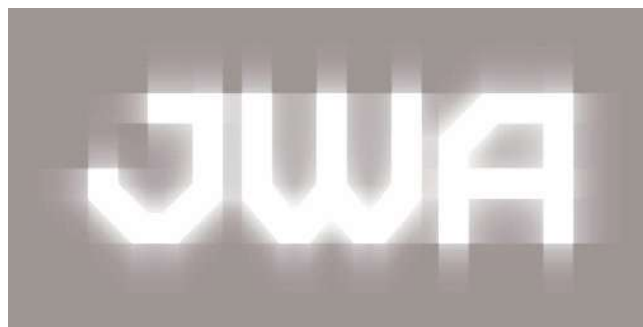
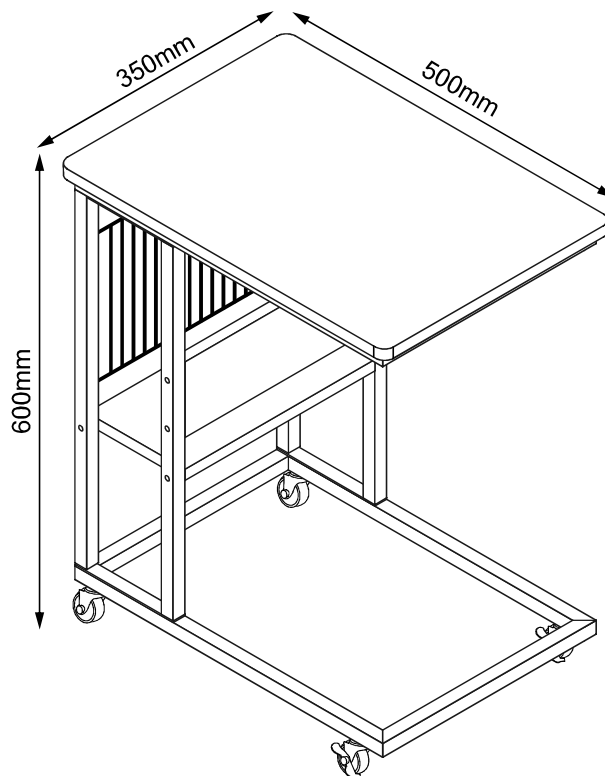


ASSEMBLY INSTRUCTION

MORROW

C Table

ITEM CODE 75127

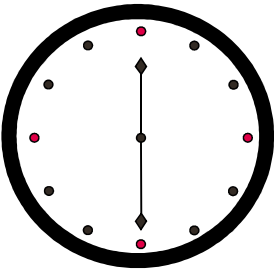
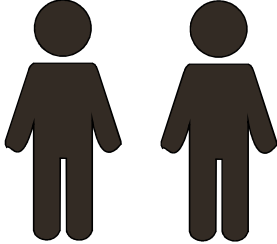



Imported by JWA Furniture Pty Ltd, Qld, Brisbane Australia.
For any assistance with assembly or for missing parts please refer to your receipt

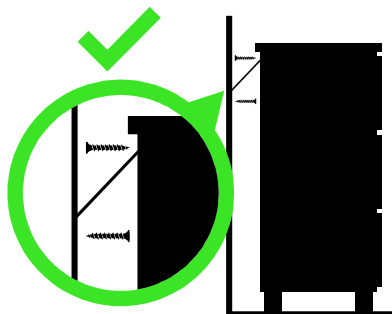
PRE-ASSEMBLY PREPARATION

Before you start:

1. Choose a clean, level, spacious assembly area. Avoid hard surfaces that may damage the product
2. Take care when lifting. Product should be assembled as near as possible to the point of use
3. Ensure that you have all required contents for complete assembly
4. Always read the assembly instructions carefully before beginning assembly.
5. Keep all hardware parts and packaging out of reach of small children.
6. Do not over tighten the screws and bolts as this may damage the threads

		
Allow 30min	For 2 person	Additional tools required

WARNING



Children have died from furniture tipover.

- ALWAYS secure it with an anchor device.
- NEVER allow children to stand, climb or hang on drawers, doors, or shelves.
- NEVER open more than one drawer at a time.
- Place heavy items down low

NEVER put a TV on this furniture



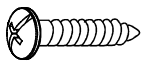
**This is a permanent label.
Do not remove!**

SAFETY BRACKETS INSTRUCTIONS

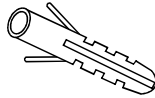
This furniture poses a tipping risk and as such must be secured to a wall using the provided tipping kit.

1. Attach one Mounting Plate to the wall with the Large Screws. Make sure to attach the Mounting Plate into a stud. If mounting into brick or masonry you will need to acquire wall anchors. Please enquire with your local hardware supplier for appropriate fixings.
2. Attach the second Mounting Plate to the furniture frame with the Short Screws.
3. Move the furniture to its final position. Thread a Wall Strap through the both Mounting Plates and tighten until snug. Do not over tighten.
4. Make sure that the Mounting Plates are firmly attached to the wall and furniture and that the Wall Strap is snug.

HARDWARE



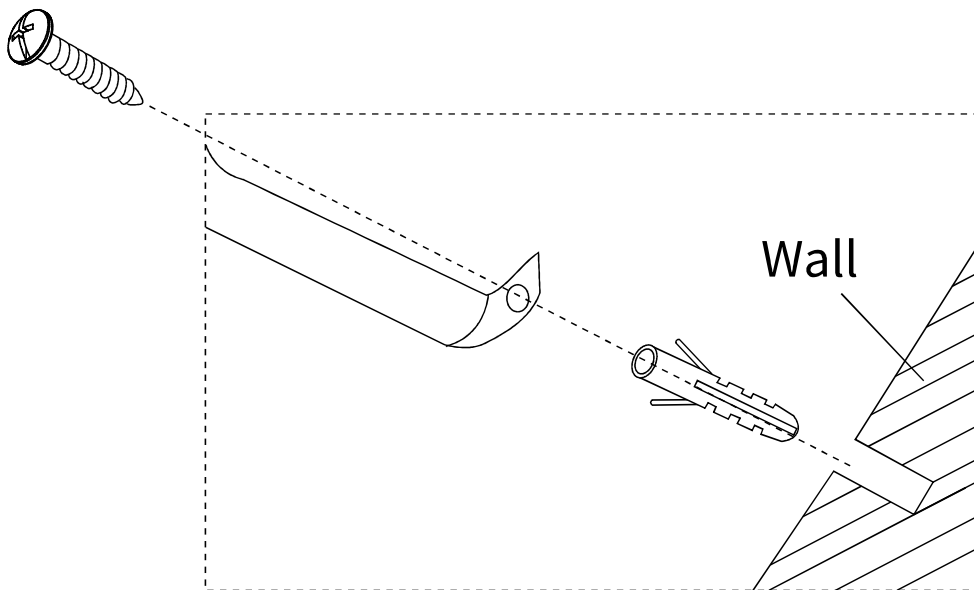
1pc




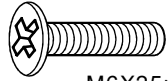

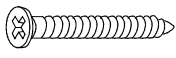
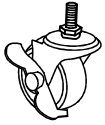

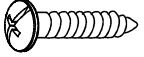
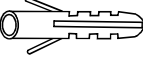

1pc



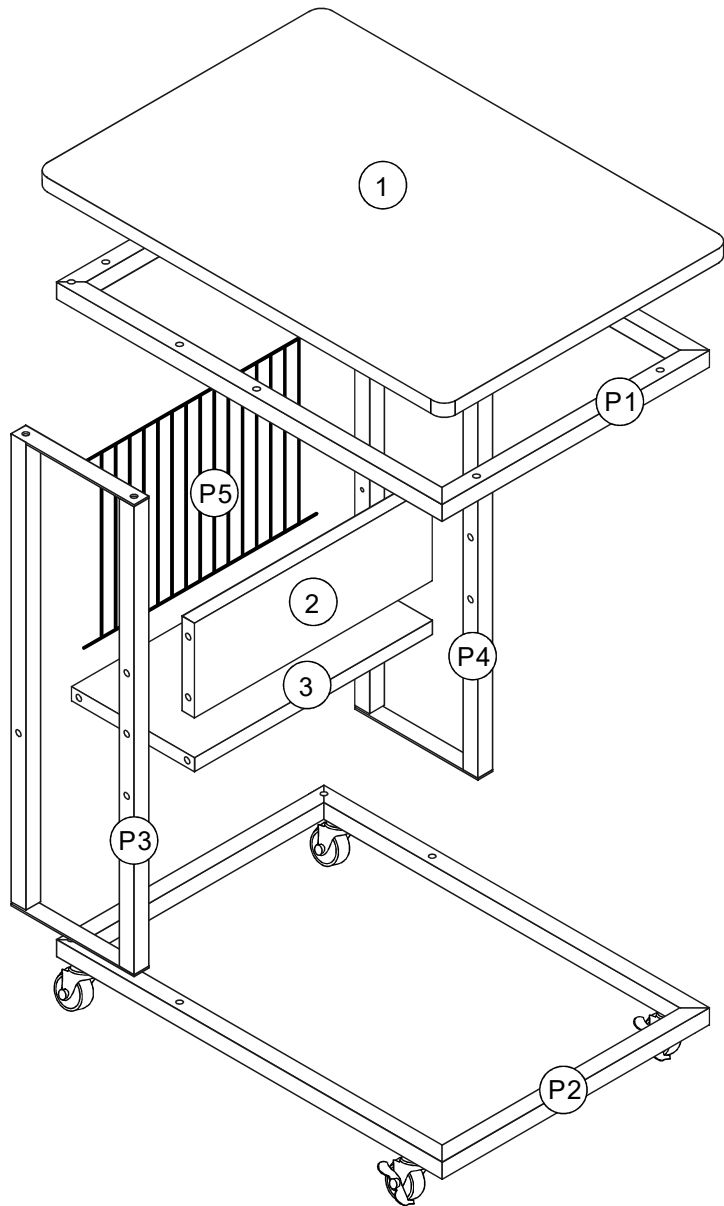
1pc



PARTS LIST

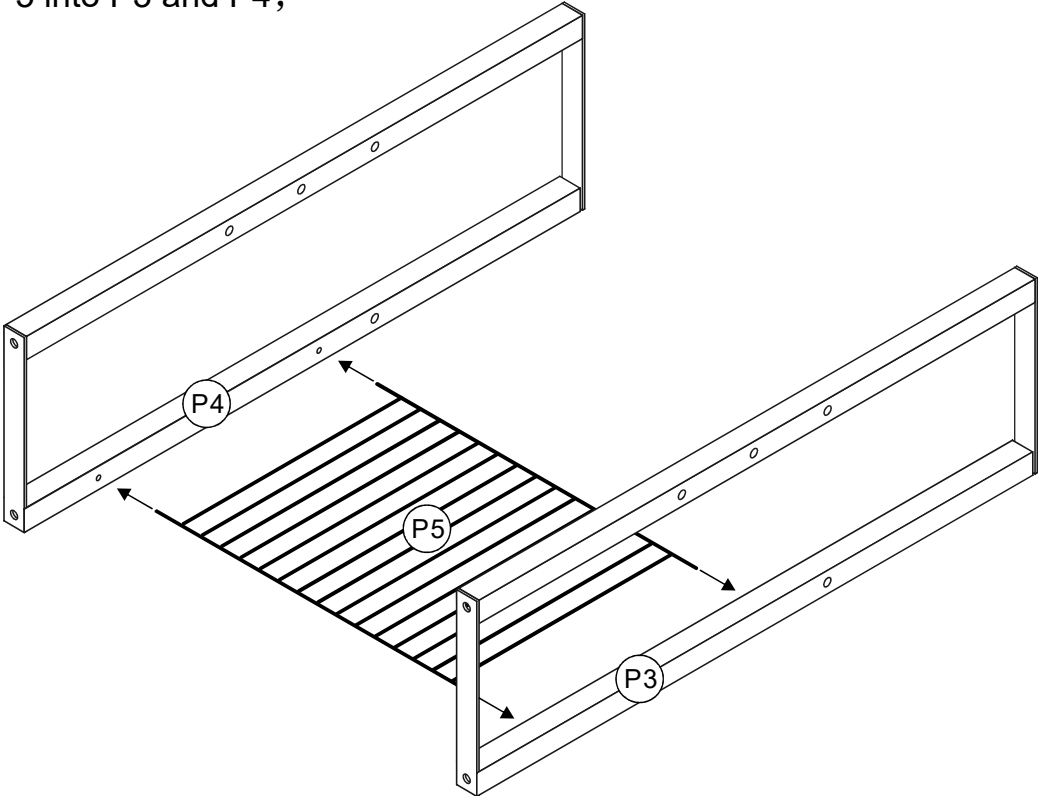
A1  M6X30mm 8pcs	A2  M6X25mm 6pcs	B  ST5X50mm 4pcs	C  ST5X40mm 4pcs	D  2pcs
E  2pcs	F  ST4X25mm 2pcs	G  2pcs	H  2pcs	

1	Top Panel
2	Middle Panel
3	Bottom Panel
P1	Upper frame
P2	Bottom frame
P3	Left frame
P4	Right frame
P5	Iron net



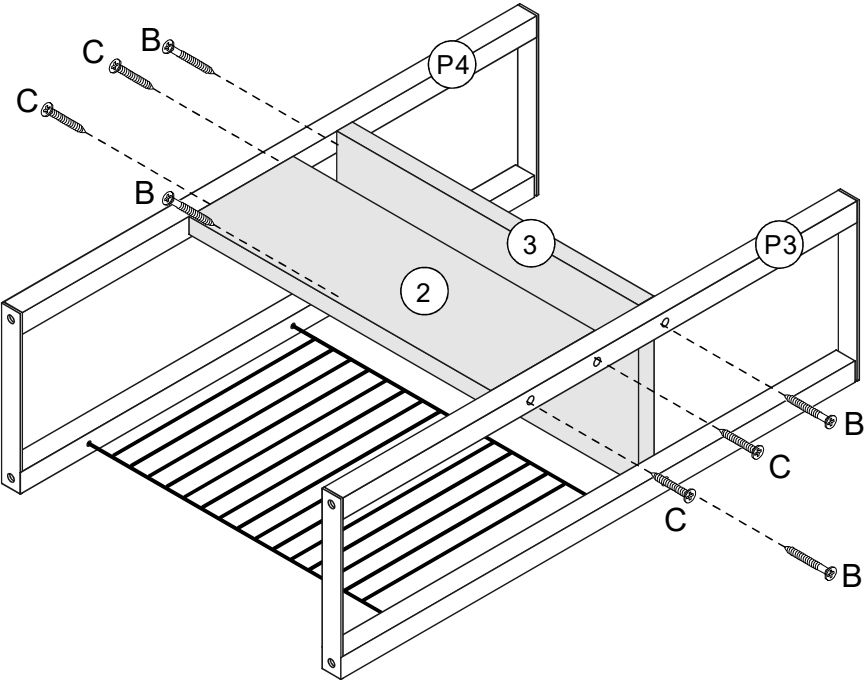
STEP 1:

1. Insert P5 into P3 and P4;



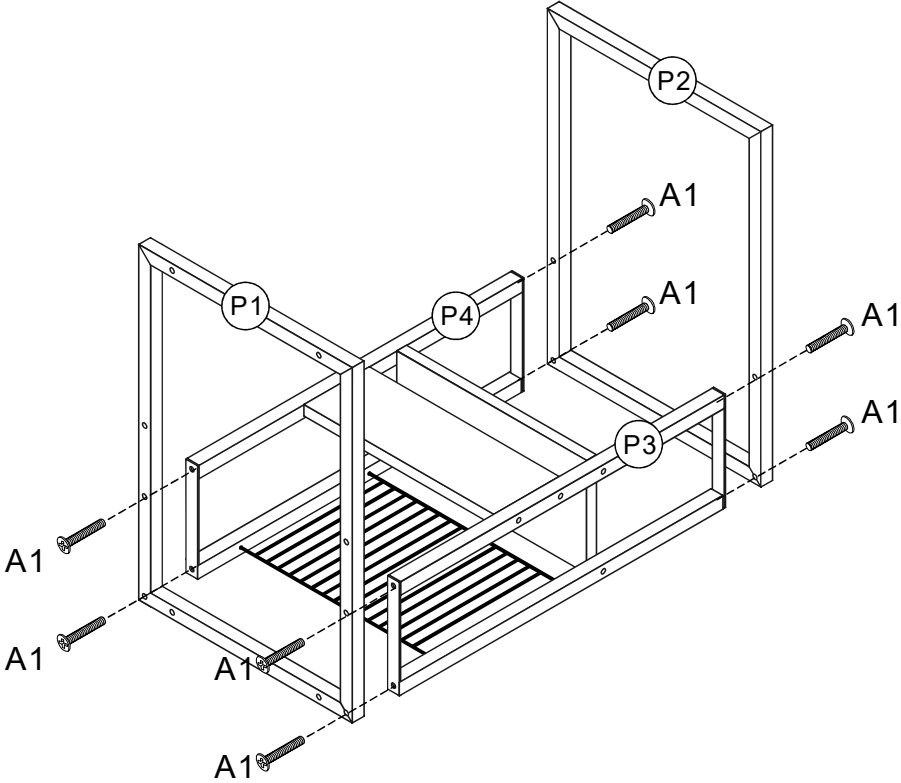
STEP 2:

- 1. Attach Panel 3 to P3 and P4 with Part B.
- 2. Then attach Panel 2 to P3 and P4 with Part C.



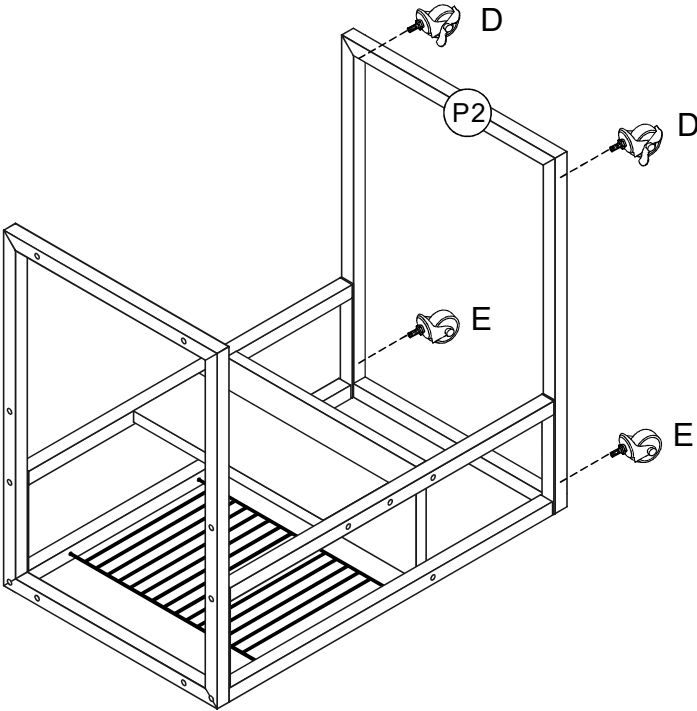
STEP 3:

1. Attach P1 and P2 to P3 & P4 with Part A1.



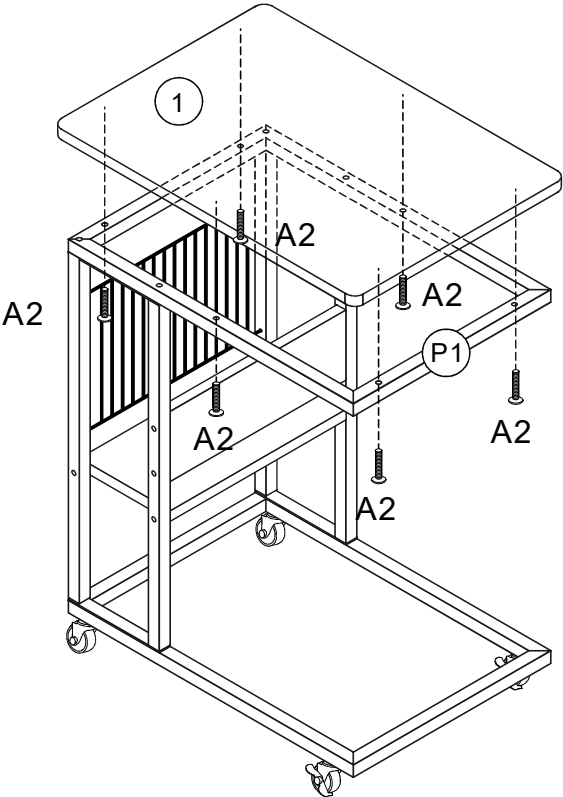
STEP 4:

1. Insert Part E and D into P 2.



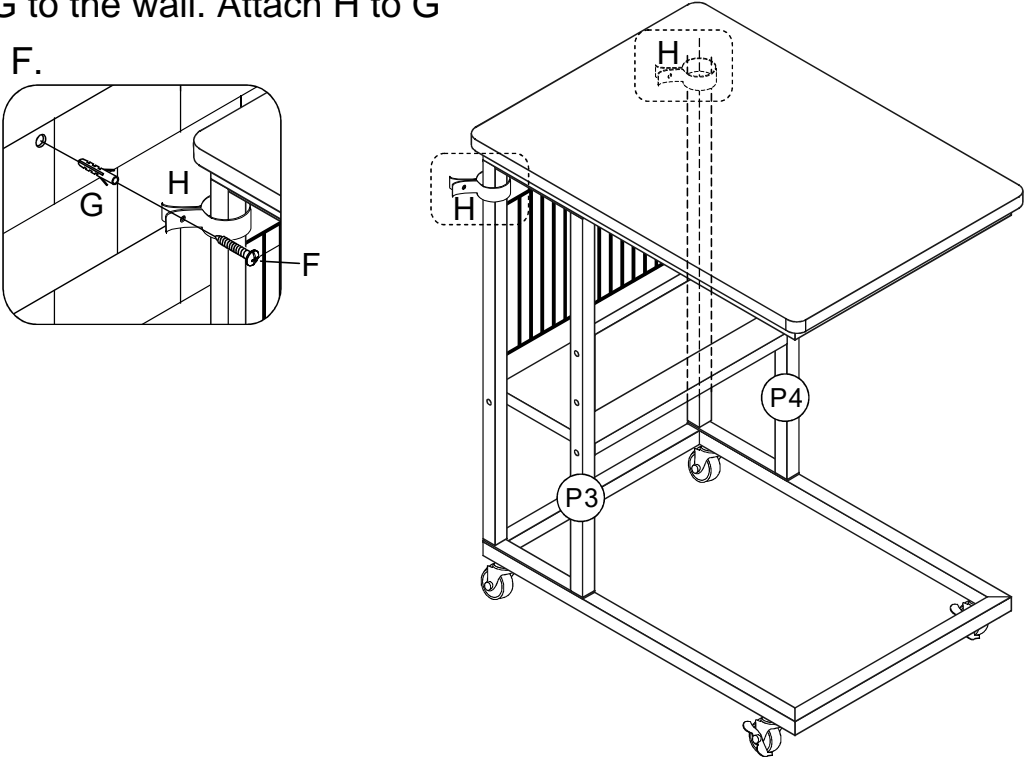
STEP 5:

1. Attach Panel 1 to P1 with Part A2.



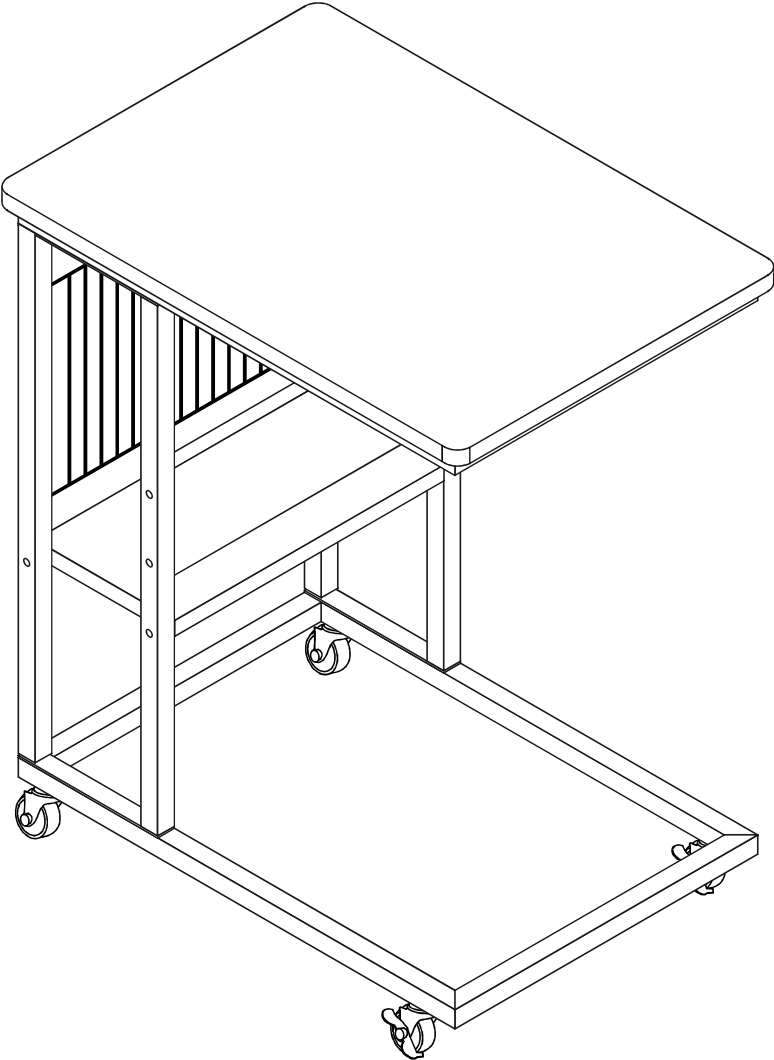
STEP 6:

- 1. Attach H to P3 and P4.
- 2. Insert G to the wall. Attach H to G with part F.



STEP 7:

Assembly complete!



To protect your furniture, we suggest the following:

- Avoid placing your furniture in direct sunlight.
- Do not place furniture directly under windows.
- Do not place sharp materials (knife, fork, etc.) directly onto your furniture as sharp material may scrape and damage the finish.
- Do not place material with high temperature directly onto the surface of your furniture.
- Clean up spills quickly. Water left over a prolonged period of time may cause damage. Alcohol, perfume, nail polishes, aftershave and some medication may cause severe finish damage if not cleaned immediately.
- Use a clean, soft, dry, lint free absorbent cloth to clean your furniture. Do not use any detergent as they may contain ingredients that may react and damage the finish.

NOTE: If the above care advise is not adhered to your product warranty may become void